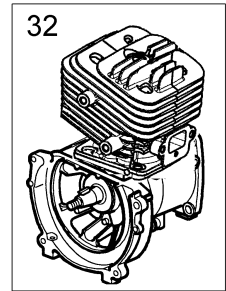
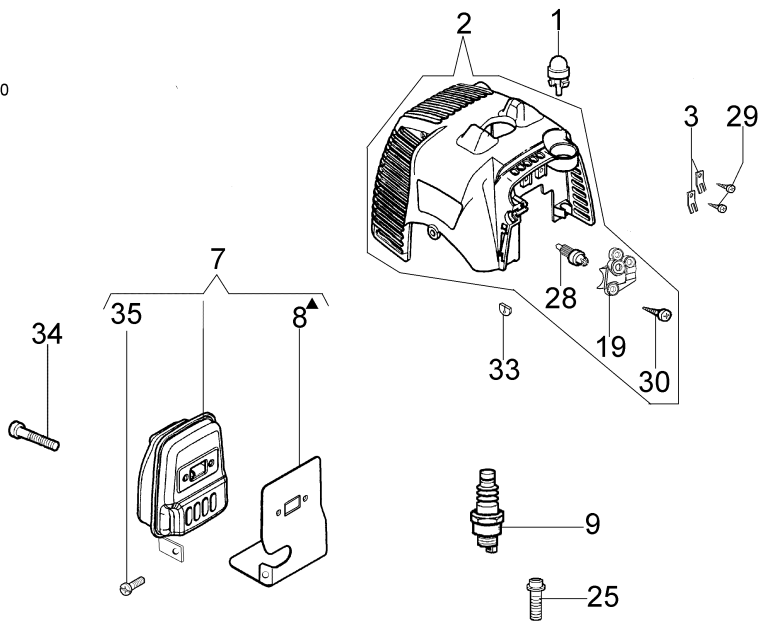
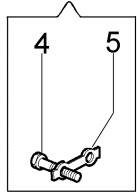
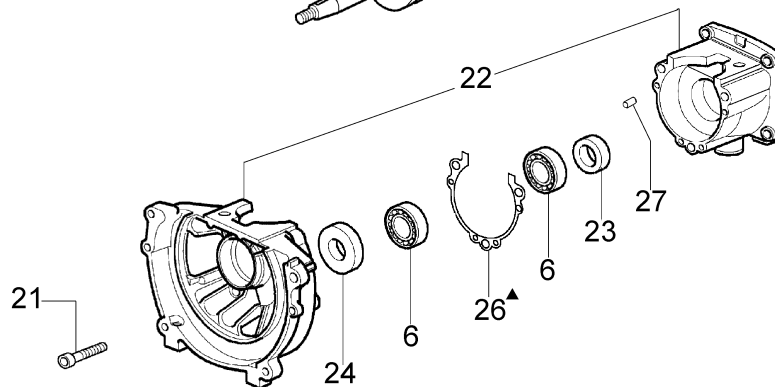
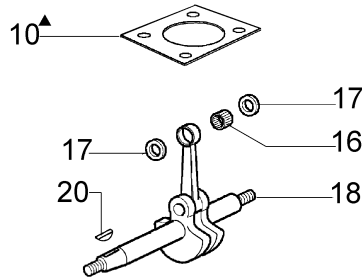
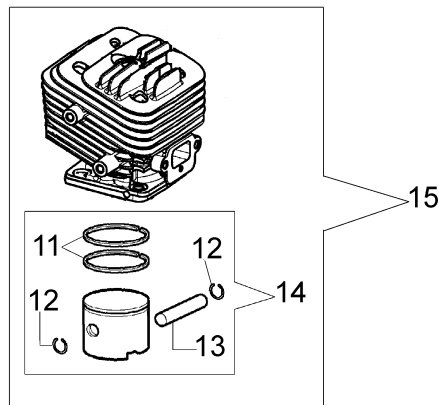


Fino a 17/10/2010  
 Until 17/10/2010  
 Jusqu'a 17/10/2010  
 Hasta 17/10/2010  
 Bis zu 17/10/2010

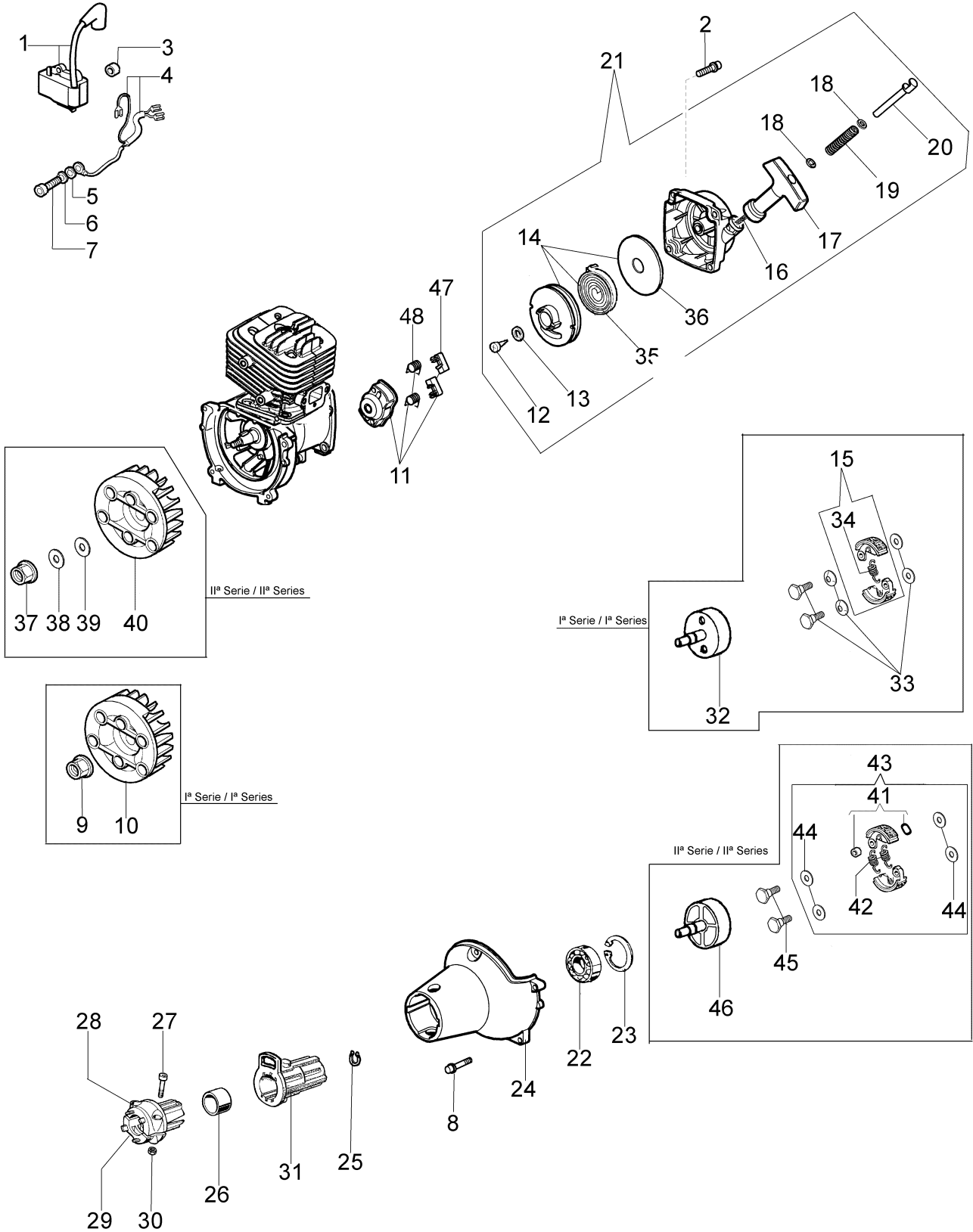


31^





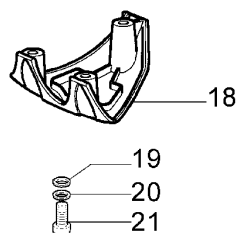
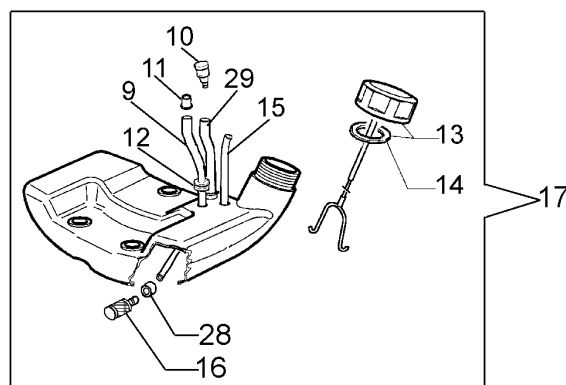
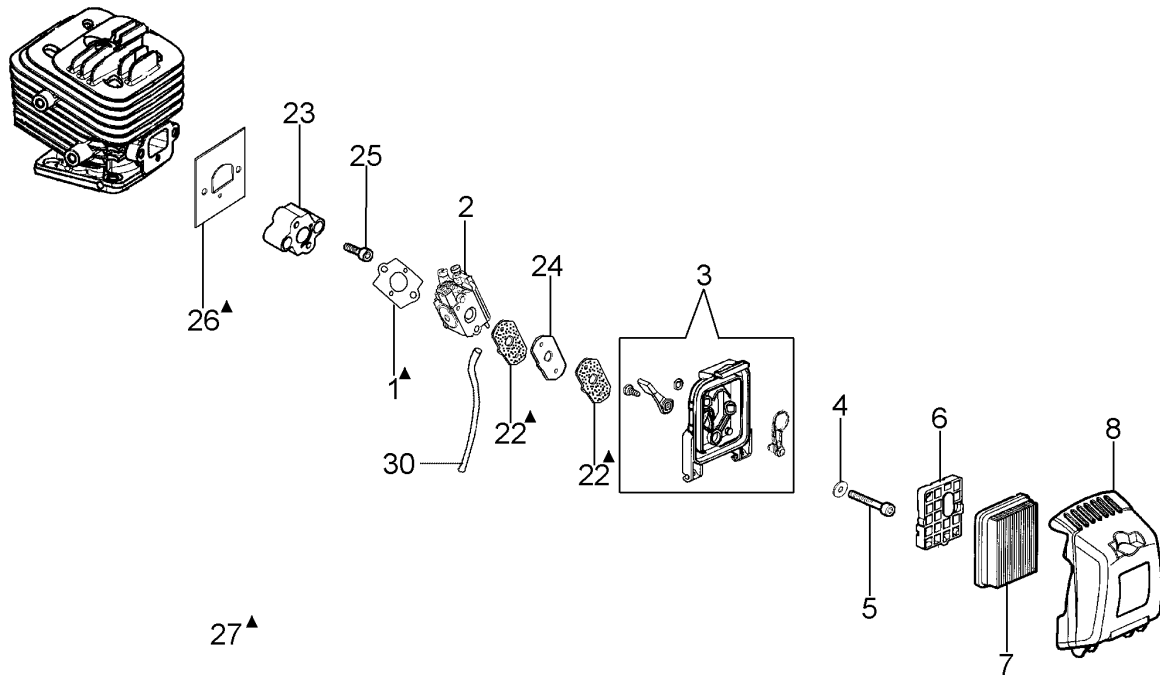
| Ref.Nu | Qty | Part number | Description       | Validity from | Validity till | Notes | Bulletin      |
|--------|-----|-------------|-------------------|---------------|---------------|-------|---------------|
| 1      | 1   | 2318817R    | Air purge         |               |               |       |               |
| 2      | 1   | 61280102AR  | Cylinder cover    |               |               |       | BT3-091-03/10 |
| 3      | 2   | 4191069B    | Plate             |               | SN 2160185672 |       | BT3-102-01/11 |
| 4      | 2   | 3806014     | Screw             |               | 17/10/2010    |       |               |
| 5      | 1   | 61070055    | Plate             |               | 17/10/2010    |       |               |
| 6      | 2   | 3034009R    | Bearing           |               |               |       |               |
| 7      | 1   | 61280010CR  | Muffler           |               |               |       | BT3-086-10/09 |
| 8      | 1   | 61280008DR  | Gasket            |               |               |       | BT3-086-10/09 |
| 9      | 1   | 3055120     | Spark plug        |               |               |       |               |
| 10     | 1   | 61280005R   | Gasket            |               |               |       |               |
| 11     | 2   | 61290045R   | Piston ring       | SN 2162198915 |               |       | BT3-117-07/12 |
| 12     | 2   | 093000167   | Ring              | SN 2162198915 |               |       | BT3-117-07/12 |
| 13     | 1   | 072700045R  | Piston pin        | SN 2162198915 |               |       | BT3-117-07/12 |
| 14     | 1   | 61292031B   | Piston assy Ø34   | SN 2162198915 |               |       | BT3-117-07/12 |
| 15     | 1   | 61292032B   | Complete cylinder | SN 2162198915 |               |       | BT3-117-07/12 |
| 16     | 1   | 072700046R  | Bearing           |               |               |       |               |
| 17     | 2   | 074000267AR | Spacer            |               |               |       |               |
| 18     | 1   | 61280004R   | Crankshaft        |               |               |       |               |
| 19     | 1   | 61280100R   | Stopper           |               |               |       | BT3-091-03/10 |
| 20     | 1   | 3028013R    | Key               |               |               |       |               |
| 21     | 1   | 3860096     | Screw             |               |               |       |               |
| 22     | 1   | 61280043BR  | Crankcase assy    |               |               |       | BT3-086-10/09 |
| 23     | 1   | 3050038R    | Seal ring         |               |               |       |               |
| 24     | 1   | 3050039R    | Seal ring         |               |               |       |               |
| 25     | 4   | 3860095R    | Screw             |               |               |       |               |
| 26     | 1   | 61280009AR  | Gasket            |               |               |       |               |
| 27     | 3   | 61280044R   | Plug              |               |               |       |               |
| 28     | 1   | 61250249R   | Adjust. pin       |               |               |       | BT3-091-03/10 |
| 29     | 2   | 3960030     | Screw             |               | SN 2160185672 |       | BT3-102-01/11 |
| 30     | 3   | 3960087AR   | Screw             |               |               |       | BT3-091-03/10 |
| 31     | 1   | 61282025D   | Gasket set        |               |               |       |               |
| 32     | 1   | 61292033AR  | Short block       |               |               |       |               |
| 33     | 1   | 005000347A  | Grommet           |               |               |       |               |
| 34     | 2   | 4175162A    | Screw             | 18/10/2010    |               |       |               |
| 35     | 1   | 4175089A    | Screw             | SN 2169375273 |               |       | BT3-086-10/09 |





| Ref.Nu | Qty | Part number | Description      | Validity from | Validity till | Notes | Bulletin                     |
|--------|-----|-------------|------------------|---------------|---------------|-------|------------------------------|
| 1      | 1   | 61280023BR  | Ignition coil    |               |               |       |                              |
| 2      | 4   | 61052008R   | Screw            |               |               |       |                              |
| 3      | 2   | 61170014    | Spacer           |               |               |       |                              |
| 4      | 1   | 61280123R   | Cable            | SN 2160185673 |               |       | BT3-102-01/11                |
| 4      | 1   | 61170017R   | Cable            |               | SN 2160185672 |       | BT3-102-01/11                |
| 5      | 2   | 3916004R    | Washer           |               |               |       |                              |
| 6      | 2   | 3819005R    | Washer           |               |               |       |                              |
| 7      | 2   | 006000085   | Screw            |               |               |       |                              |
| 8      | 4   | 3801013R    | Screw            |               |               |       |                              |
| 9      | 1   | 3980012     | Nut              |               | SN 2160488650 |       | BT3-103-01/11                |
| 10     | 1   | 61280025R   | Flywheel         |               | SN 2160488650 |       | BT3-103-01/11                |
| 11     | 1   | 56560034R   | Clutch driver    |               |               |       |                              |
| 12     | 1   | 3960070AR   | Screw            |               |               |       |                              |
| 13     | 1   | 094600054   | Washer           |               |               |       |                              |
| 14     | 1   | 61172004R   | Complete pulley  |               |               |       |                              |
| 15     | 1   | 61070091AR  | Clutch           |               | SN 2160488650 |       | BT3-103-01/11                |
| 16     | 1   | 61070019AR  | Starter rope     |               |               |       |                              |
| 17     | 1   | 56530018R   | Starter handle   |               |               |       |                              |
| 18     | 1   | 56530021    | Washer           |               |               |       |                              |
| 19     | 1   | 56530019    | Spring           |               |               |       |                              |
| 20     | 1   | 56530020    | Insert           |               |               |       |                              |
| 21     | 1   | 61170054AR  | Starter assy     |               |               |       |                              |
| 22     | 1   | 3035023R    | Bearing          |               |               |       |                              |
| 23     | 1   | 3025019     | Ring             |               |               |       |                              |
| 24     | 1   | 61170045R   | Starter case     |               |               |       |                              |
| 25     | 1   | 3024012     | Ring             |               |               |       |                              |
| 26     | 1   | 61170086    | Bushing          |               |               |       |                              |
| 27     | 2   | 3801016R    | Screw            |               |               |       |                              |
| 28     | 1   | 61170084    | Adaptor          |               |               |       |                              |
| 29     | 1   | 61170085    | Adaptor          |               |               |       |                              |
| 30     | 2   | 3914003R    | Nut              |               |               |       |                              |
| 31     | 1   | 4161428     | Sleeve           |               |               |       |                              |
| 32     | 1   | 61070022DR  | Clutch drum      |               | SN 2160488650 |       | BT3-103-01/11                |
| 33     | 1   | 61170137C   | Screw/washer kit |               | SN 2160488650 |       | BT3-103-01/11                |
| 34     | 1   | 61070090R   | Spring           |               | SN 2160488650 |       | BT3-103-01/11                |
| 35     | 1   | 61070036R   | Spring           |               |               |       |                              |
| 36     | 1   | 61170173R   | Washer           |               |               |       |                              |
| 37     | 1   | 3912009     | Nut              | SN 2160488651 |               |       | BT3-103-01/11                |
| 38     | 1   | 3833080     | Washer           | SN 2160488651 |               |       | BT3-103-01/11                |
| 39     | 1   | 3916009     | Washer           | SN 2160488651 |               |       | BT3-103-01/11                |
| 40     | 1   | 61280109R   | Flywheel         | SN 2160488651 |               |       | BT3-103-01/11                |
| 41     | 1   | 61280151A   | Set spacer       | SN 2161204055 |               |       | BT3-107-06/11                |
| 42     | 2   | 4138494     | Spring           | SN 2160488651 |               |       | BT3-103-01/11                |
| 43     | 1   | 61280135CR  | Clutch           | SN 2161204055 |               |       | BT3-103-01/11, BT3-107-06/11 |
| 44     | 4   | 3918007     | Washer           | SN 2160488651 |               |       | BT3-103-01/11, BT3-107-06/11 |
| 45     | 2   | 3806040     | Screw            | SN 2160488651 |               |       | BT3-103-01/11                |
| 46     | 1   | 61280130R   | Clutch drum      | SN 2160488651 |               |       | BT3-103-01/11                |
| 47     | 2   | 61070038    | Pawl             |               |               |       |                              |
| 48     | 2   | 61070039R   | Spring           |               |               |       |                              |

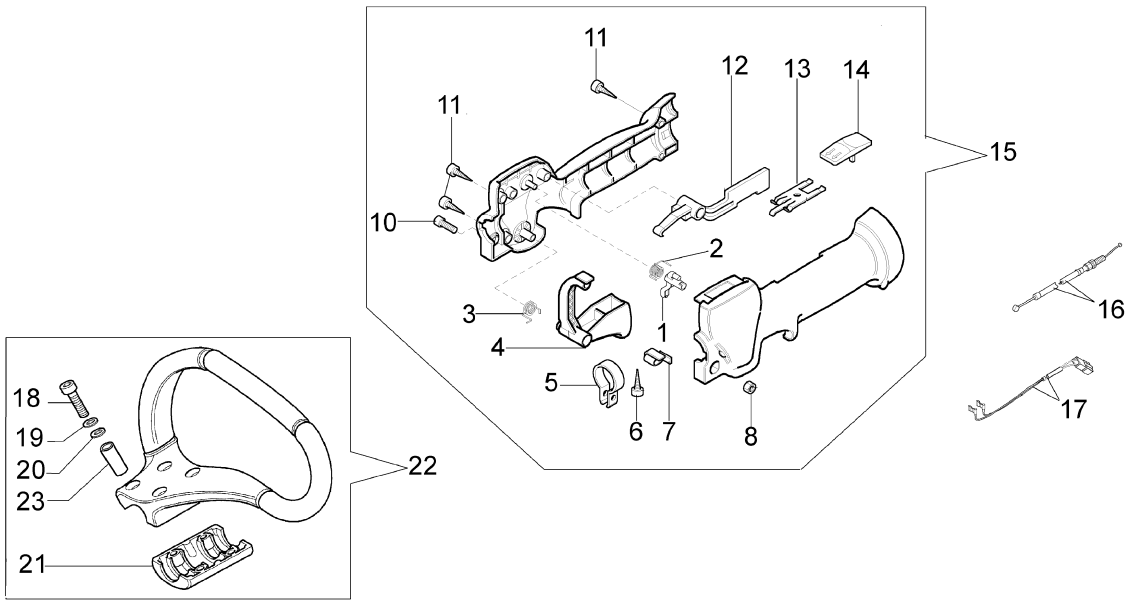






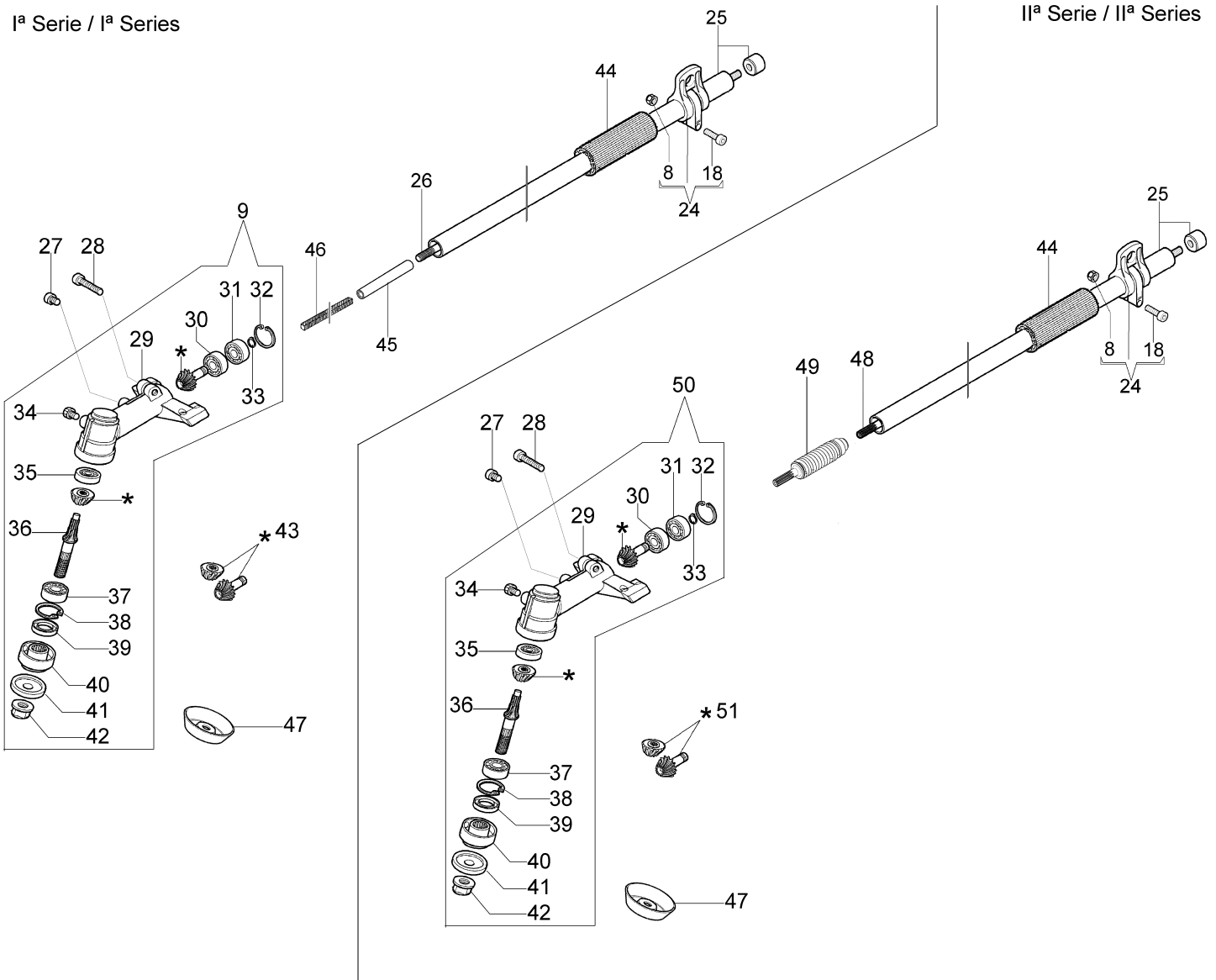


| Ref.Nu | Qty | Part number | Description    | Validity from | Validity till | Notes | Bulletin |
|--------|-----|-------------|----------------|---------------|---------------|-------|----------|
| 1      | 1   | 072700077BR | Gasket         |               |               |       |          |
| 2      | 1   | 2318705CR   | Carburetor     |               |               |       |          |
| 3      | 1   | 61280030R   | Filter support |               |               |       |          |
| 4      | 2   | 3833073R    | Washer         |               |               |       |          |
| 5      | 2   | 4175163     | Screw          |               |               |       |          |
| 6      | 1   | 61170052A   | Guard          |               |               |       |          |
| 7      | 1   | 61170016R   | Air filter     |               |               |       |          |
| 8      | 1   | 61170040BR  | Filter cover   |               |               |       |          |
| 9      | 1   | 61280055    | Tube           |               |               |       |          |
| 10     | 1   | 61070011AR  | Breather valve |               |               |       |          |
| 11     | 1   | 4098377     | Band           |               |               |       |          |
| 12     | 1   | 4161211     | Bush           |               |               |       |          |
| 13     | 1   | 61070079R   | Tank cap       |               |               |       |          |
| 14     | 1   | 61070006R   | Gasket         |               |               |       |          |
| 15     | 1   | 61280056    | Tube           |               |               |       |          |
| 16     | 1   | 094600450R  | Fuel filter    |               |               |       |          |
| 17     | 1   | 61282030R   | Tank           |               |               |       |          |
| 18     | 1   | 61170041    | Stand          |               |               |       |          |
| 19     | 3   | 3918005     | Washer         |               |               |       |          |
| 20     | 3   | 3819006R    | Grower         |               |               |       |          |
| 21     | 3   | 3801013R    | Screw          |               |               |       |          |
| 22     | 2   | 61280059BR  | Gasket         |               |               |       |          |
| 23     | 2   | 074000130C  | Insulator      |               |               |       |          |
| 24     | 1   | 61290004R   | Spacer         |               |               |       |          |
| 25     | 2   | 3960069AR   | Screw          |               |               |       |          |
| 26     | 1   | 072700076B  | Gasket         |               |               |       |          |
| 27     | 1   | 61282025D   | Gasket set     |               |               |       |          |
| 28     | 1   | 61110162A   | Bushing        |               |               |       |          |
| 29     | 1   | 61070078    | Tube           |               |               |       |          |
| 30     | 1   | 61280054    | Tube           |               |               |       |          |



I<sup>a</sup> Serie / I<sup>a</sup> Series

II<sup>a</sup> Serie / II<sup>a</sup> Series

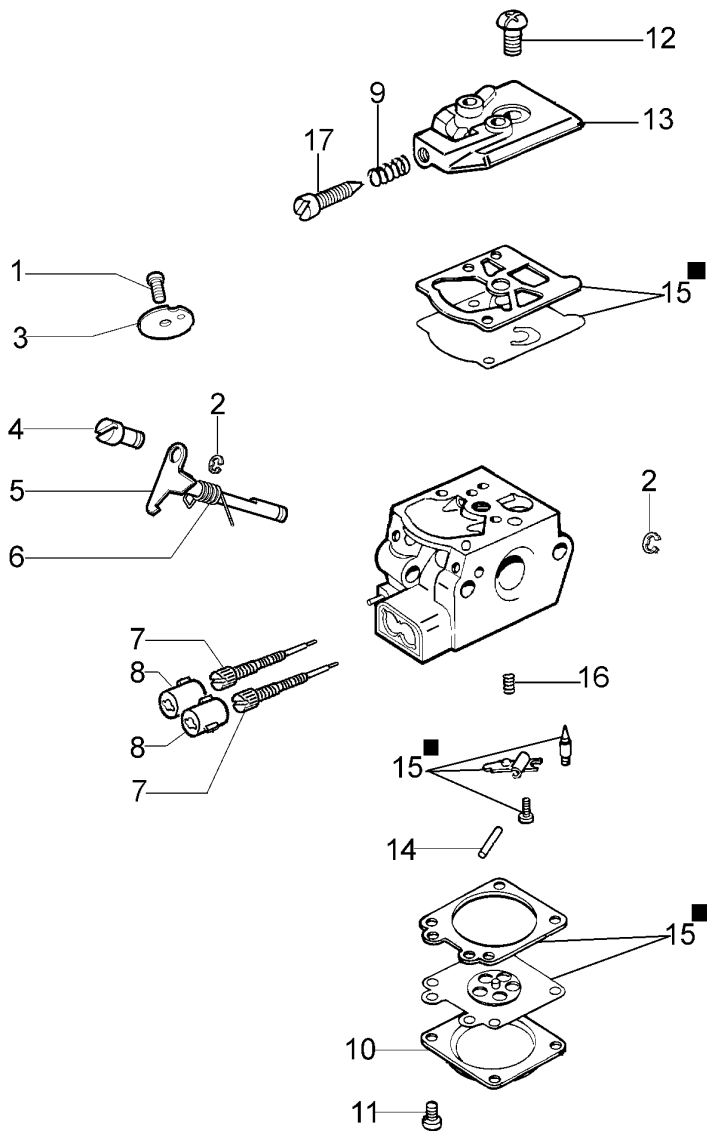




| Ref.Nu | Qty | Part number | Description         | Validity from | Validity till | Notes | Bulletin                     |
|--------|-----|-------------|---------------------|---------------|---------------|-------|------------------------------|
| 1      | 1   | 61040052    | Pawl                |               |               |       |                              |
| 2      | 1   | 61040057R   | Spring              |               |               |       |                              |
| 3      | 1   | 61040056R   | Spring              |               |               |       |                              |
| 4      | 1   | 61040049    | Throttle lever      |               |               |       |                              |
| 5      | 1   | 61170080    | Band                |               |               |       |                              |
| 6      | 1   | 3960061AR   | Screw               |               |               |       |                              |
| 7      | 1   | 61040054    | Plate               |               |               |       |                              |
| 8      | 2   | 3914003R    | Nut                 |               |               |       |                              |
| 9      | 1   | 61290010R   | Kegelradantrieb Ø24 |               | SN 2160488650 |       | BT3-103-01/11                |
| 10     | 1   | 3801011     | Screw               |               |               |       |                              |
| 11     | 3   | 3960067AR   | Screw               |               |               |       |                              |
| 12     | 1   | 61040050AR  | Lever               |               |               |       |                              |
| 13     | 1   | 61040053    | Plate               |               |               |       |                              |
| 14     | 1   | 61040051    | Slide control       |               |               |       |                              |
| 15     | 1   | 61290050R   | Complete handle     |               |               |       |                              |
| 16     | 1   | 61280061AR  | Throttle cable      |               |               |       | BT3-090-03/10                |
| 17     | 1   | 61280122R   | Cable               | SN 2160185673 |               |       | BT3-102-01/11                |
| 17     | 1   | 61280060AR  | Cable               |               | SN 2160185672 |       | BT3-090-03/10, BT3-102-01/11 |
| 18     | 4   | 3801015     | Screw               |               |               |       |                              |
| 19     | 4   | 3819006R    | Grower              |               |               |       |                              |
| 20     | 4   | 3916005R    | Washer              |               |               |       |                              |
| 21     | 1   | 61170088    | Clamp               |               |               |       |                              |
| 22     | 1   | 61170103AR  | Handle              |               |               |       |                              |
| 23     | 4   | 61170133    | Insert              |               |               |       |                              |
| 24     | 1   | 61170175R   | Band                |               |               |       |                              |
| 25     | 1   | 61290011R   | Tube Ø24            |               |               |       |                              |
| 26     | 1   | 61280066R   | Drive shaft         |               |               |       | BT3-103-01/11                |
| 27     | 1   | 3901008R    | Screw               |               |               |       |                              |
| 28     | 1   | 3901016     | Screw               |               |               |       |                              |
| 29     | 1   | 61170119AR  | Gear case           |               |               |       |                              |
| 30     | 1   | 3035043     | Bearing             |               |               |       |                              |
| 31     | 1   | 3035044     | Bearing             |               |               |       |                              |
| 32     | 1   | 3025026     | Ring                |               |               |       |                              |
| 33     | 1   | 3024009R    | Ring                |               |               |       |                              |
| 34     | 1   | 3906030     | Screw               |               |               |       |                              |
| 35     | 1   | 3035045R    | Bearing             |               |               |       |                              |
| 36     | 1   | 61170122    | Shaft               |               |               |       |                              |
| 37     | 1   | 3034008     | Bearing             |               |               |       |                              |
| 38     | 1   | 3025018R    | Ring                |               |               |       |                              |
| 39     | 1   | 61170134    | Seal ring           |               |               |       |                              |
| 40     | 1   | 61170123    | Hub                 |               |               |       |                              |
| 41     | 1   | 61170124    | Lower flange        |               |               |       |                              |
| 42     | 1   | 3933105     | Nut                 |               |               |       |                              |
| 43     | 1   | 61282028    | Bevel gear set      |               | SN 2160488650 |       | BT3-103-01/11                |
| 44     | 1   | 4162154B    | Knob                |               |               |       |                              |
| 45     | 1   | 61280065R   | Joint               |               | SN 2160488650 |       | BT3-103-01/11                |
| 46     | 1   | 61280064AR  | Shaft               |               | SN 2160488650 |       | BT3-103-01/11                |
| 47     | 1   | 61110074R   | Guard               |               |               |       |                              |
| 48     | 1   | 61250274R   | Drive shaft         | SN 2160488651 |               |       | BT3-103-01/11                |
| 49     | 1   | 61280129BR  | Torsion damper      | SN 2160488651 |               |       | BT3-103-01/11                |
| 50     | 1   | 61170066BR  | Kegelradantrieb Ø24 | SN 2160488651 |               |       | BT3-103-01/11                |
| 51     | 1   | 61170135    | Bevel gear set      | SN 2160488651 |               |       | BT3-103-01/11                |

## Walbro mod. WT-930

compl. p.n. 2318705

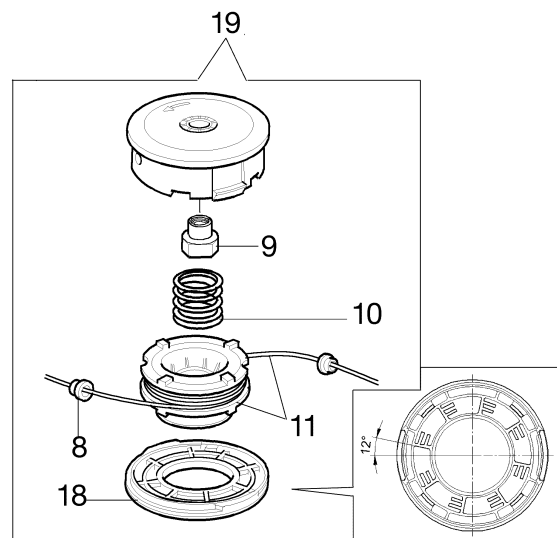
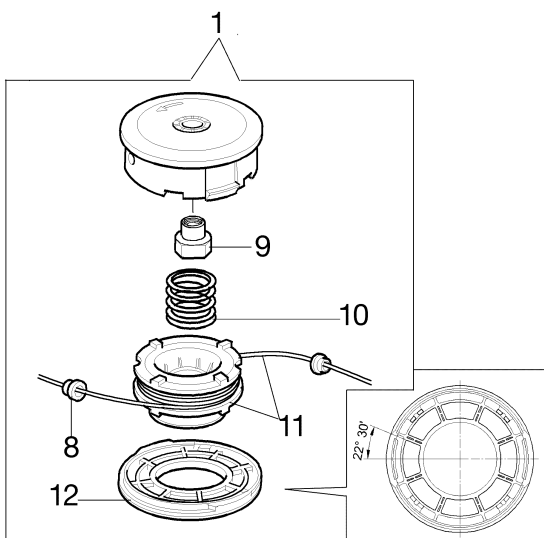
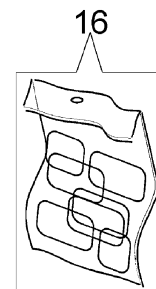
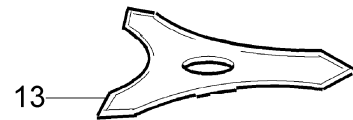
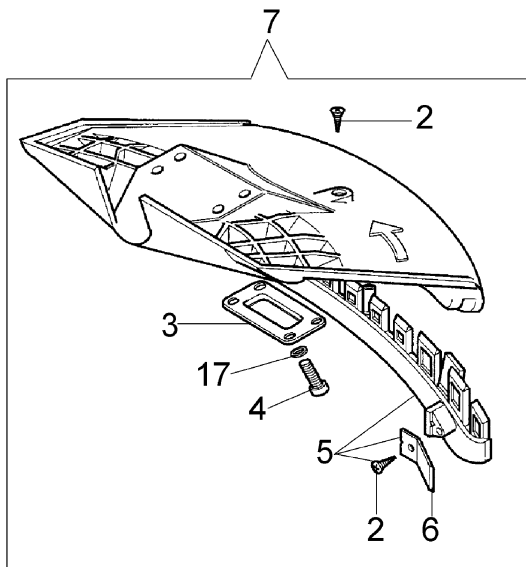
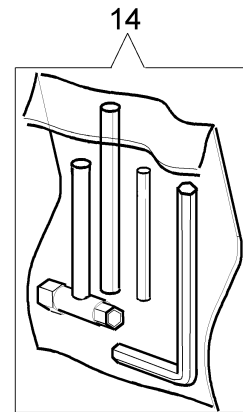
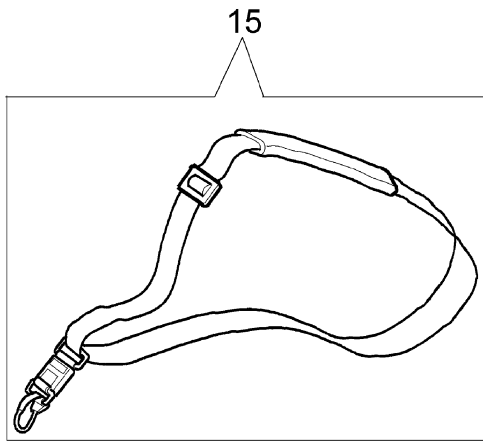


15 ■ KIT RIPARAZIONE  
REPAIR KIT



| Ref.Nu | Qty | Part number | Description   | Validity from | Validity till | Notes | Bulletin |
|--------|-----|-------------|---------------|---------------|---------------|-------|----------|
| 1      | 1   | 50010141    | Screw         |               |               |       |          |
| 2      | 2   | 095000164   | Ring          |               |               |       |          |
| 3      | 1   | 375100078   | Shutter       |               |               |       |          |
| 4      | 1   | 2318211     | Pin           |               |               |       |          |
| 5      | 1   | 2318737     | Shaft         |               |               |       |          |
| 6      | 1   | 072700347   | Spring        |               |               |       |          |
| 7      | 1   | 2318631     | Adjust. screw |               |               |       |          |
| 8      | 2   | 2318867     | Clamp         |               |               |       |          |
| 9      | 1   | 094600148   | Spring        |               |               |       |          |
| 10     | 1   | 2318191     | Cover         |               |               |       |          |
| 11     | 4   | 035000162   | Screw         |               |               |       |          |
| 12     | 1   | 003300202   | Screw         |               |               |       |          |
| 13     | 1   | 50050107    | Cover         |               |               |       |          |
| 14     | 1   | 003300201   | Spindle       |               |               |       |          |
| 15     | 1   | 2318671     | Repair kit    |               |               |       |          |
| 16     | 1   | 094600430   | Spring        |               |               |       |          |
| 17     | 1   | 074000240   | Adjust. screw |               |               |       |          |







| Ref.Nu | Qty | Part number | Description                    | Validity from | Validity till | Notes  | Bulletin |
|--------|-----|-------------|--------------------------------|---------------|---------------|--|----------|
| 1      |     | -           | Not available for this product |               |               | Sostituita da testina completa codice 63019020 (inserto femmina);<br>Replaced by complet head p/n 63019020 (female insert) |          |
| 2      | 2   | 3960040R    | Screw                          |               |               |  |          |
| 3      | 1   | 61240161R   | Plate                          |               |               |  |          |
| 4      | 4   | 3801010R    | Screw                          |               |               |  |          |
| 5      | 1   | 4179113AR   | Skirt w/blade                  |               |               |  |          |
| 6      | 1   | 4174275R    | Blade                          |               |               |  |          |
| 7      | 1   | 61072044A   | Guard                          |               |               |  |          |
| 8      | 2   | 4199005A    | Bushing                        |               |               |  |          |
| 9      | 1   | 61110076    | Insert (female)                |               |               |  |          |
| 10     | 1   | 4199004     | Spring                         |               |               |  |          |
| 11     | 1   | 4199052     | Nylon spool                    |               |               |  |          |
| 12     | 1   | 4199026A    | Cover                          |               |               |  |          |
| 13     | 1   | 4095673AR   | Disk                           |               |               |  |          |
| 14     | 1   | 61260029    | Tool kit                       |               |               |  |          |
| 15     | 1   | 4160463AR   | Single harness                 |               |               |  |          |
| 16     | 1   | 61292025    | Labels kit                     |               |               |  |          |
| 17     | 4   | 3819006R    | Grower                         |               |               |  |          |
| 18     | 1   | 4199046     | Cover                          |               |               |  |          |
| 19     | 1   | 63019020    | Compl. nylon head EF Ø2,4      |               |               | Inserto femmina; Female insert   |          |